



User's manual (Canada version)

VM312/VM312-2

Safe & Sound™ Full Color Video and Audio Monitor

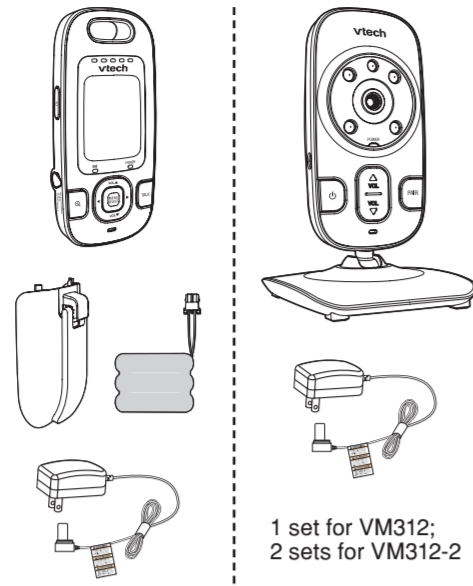


Congratulations

on purchasing your new Vtech product. Before using this product, please read **Important safety instructions.**

For support, shopping, and everything new at Vtech, visit our website at www.vtechcanada.com.

What's in the box



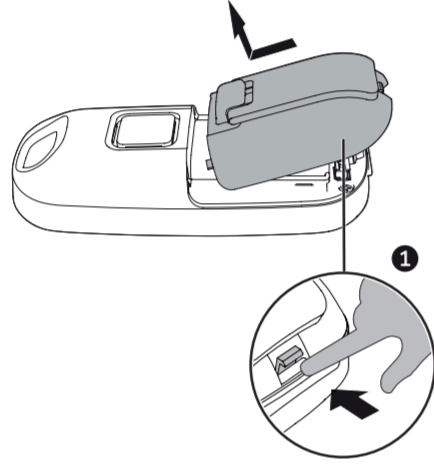
1 set for VM312;
2 sets for VM312-2

Install the battery

You can power up the parent unit by connecting it to AC power or to the rechargeable battery provided. Even if the parent unit is connected to AC power, we recommend you also install the battery. This guarantees continual operation in case of a power outage.

Install the battery as shown below.

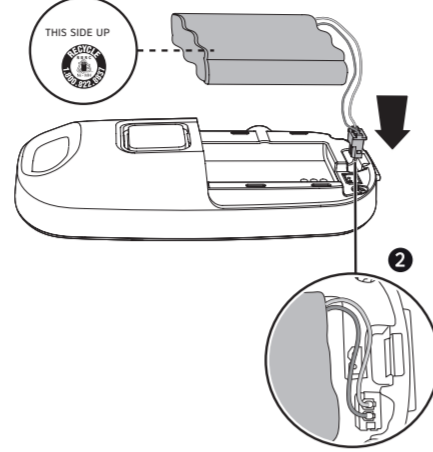
1. Push the detent of the battery compartment cover and lift the cover to open.



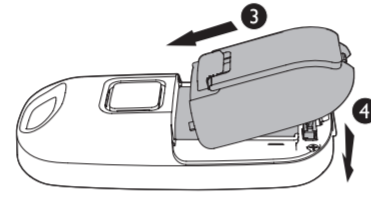
2. Plug the battery connector securely into the socket.

NOTES

- Make sure the supplied rechargeable battery with the label **THIS SIDE UP** facing up.
- Arrange the battery wire to avoid it obstructing the battery cover when closing.



3. Align the battery compartment cover against the battery compartment.
4. Push the battery compartment cover down and click into place.



Replace the battery

To replace the battery, pull the battery out of the battery compartment and unplug the battery connector from the socket, then follow the steps above to install the battery.

NOTES

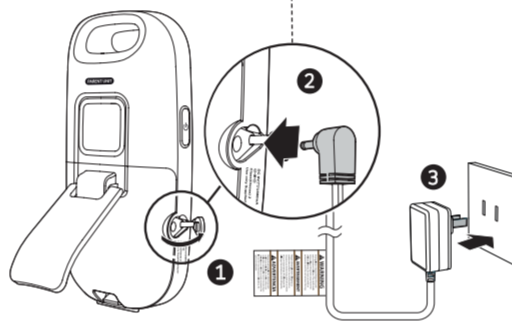
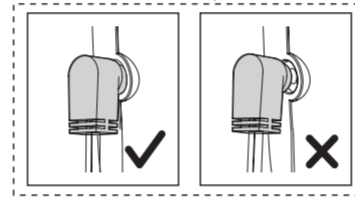
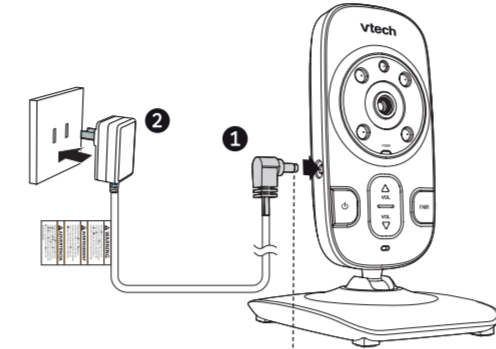
- The operating time for using the rechargeable battery is short. If you want to monitor your baby for a long time, we recommend you connect the parent unit to AC power.
- If the parent unit will not be used for a long time, disconnect and remove the battery to prevent possible leakage.

Connect and charge the battery

NOTES

- Use only the battery supplied with this product.
- Use only the parent unit power adapter or the baby unit power adapter supplied with this product.
- Make sure the electrical outlets are not controlled by wall switches.
- The parent unit power adapter and baby unit power adapter are intended to be correctly oriented in a vertical or floor mount position. The prongs are not designed to hold the plug in place if it is plugged into a ceiling, under-the-table or cabinet outlet.
- Make sure the parent unit, the baby unit and the power adapter cord are out of reach of children.

Connect the baby monitor



Charge the parent unit battery

Once you have connected the parent unit and installed its battery, press **⏻** to turn it on. The battery icon indicates the battery status (see the following table).

NOTES

- The parent unit battery is fully charged after 12 hours of continuous charging.
- It takes longer to charge the battery when the parent unit is turned on. To shorten the charging time, turn the parent unit off while charging.
- The standby time varies depending on the sensitivity level you set, your actual use and the age of the battery.

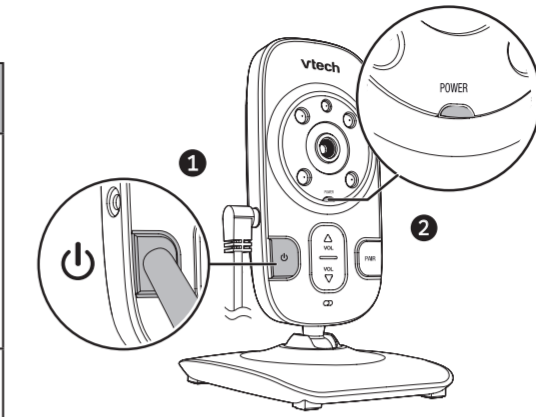
Battery indicators	Battery status	Action
The battery icon is off and displays.	No battery is installed but operates using AC power, or the battery has been installed incorrectly.	Install the parent unit battery. Charge without interruption (at least 30 minutes).
The screen displays . The light flashes.	The battery has very little charge and may be used for only a short time.	Charge without interruption (about 30 minutes).
The battery icon becomes solid .	The battery is fully charged.	To keep the battery charged, connect it to AC power when not in use.

Before use

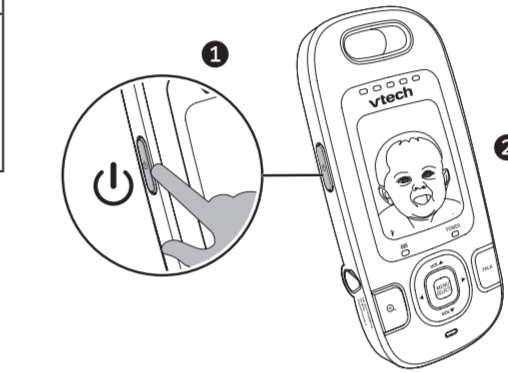
You may test the baby monitor before initial use, and at regular times thereafter.

To test your video and audio monitor:

1. Place the parent unit and the baby units in the same room to test the product. Make sure the baby units are at least 3 feet away from the parent unit.
2. Press **⏻** to turn on the baby unit. The **POWER** light turns on.



3. Press **⏻** to turn on the parent unit. The screen turns on.



NOTE

If both units are not connected, the parent unit displays while searching for a baby unit. If no baby unit is found after a while, it displays .

Positioning the baby monitor

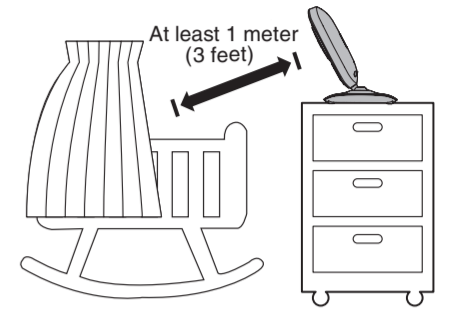
NOTE

This baby monitor is intended as an aid. It is not a substitute for proper adult supervision, and should not be used as such.

CAUTION

Keep the baby unit out of the reach of the baby. Never place or mount the baby unit inside the baby's crib or playpen.

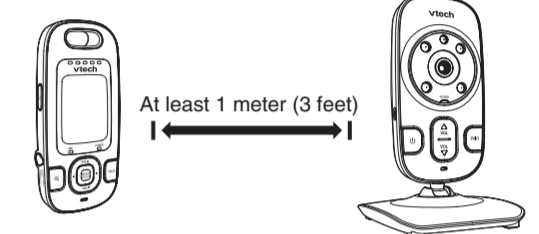
1. Place the baby unit at least 1 meter / 3 feet away from your baby.



NOTE

If you experience audio feedback on either the parent unit or baby unit, move the parent unit further away until there is no more audio feedback; or press **VOL** to lower the audio feedback sound.

2. Place the parent unit at least 1 meter / 3 feet away from the baby unit.



TIP

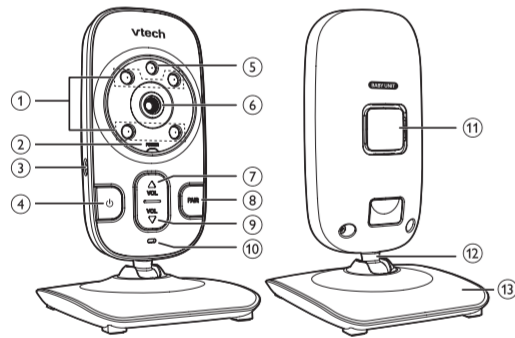
You can increase the speaker volume of the parent unit if you cannot hear the sounds transmitted from the baby unit.

Operating range

The operating range of the baby monitor is up to 300 meters (1,000 feet) outdoors or 50 meters (160 feet) indoors. The actual operating range may vary depending on the environmental conditions, and other interferences such as walls, doors, and other obstructions.

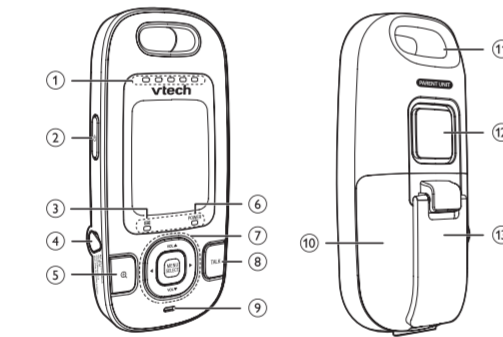
Overview

Baby unit overview



1	Infrared LEDs Backup light for night vision.
2	POWER on/off indicator <ul style="list-style-type: none">• On when the baby unit is powered on and currently linked to parent unit.• Flashes when the baby unit is not linked to a parent unit; or the pairing process is in progress; or the parent unit is not viewing this baby unit.
3	Power jack
4	⏻ (On/Off) <ul style="list-style-type: none">• Press to power on.• Press and hold to power off.
5	Night sensor
6	Camera
7	▲/VOL Press to increase the listening volume.
8	PAIR Press and hold to pair to the parent unit.
9	▼/VOL Press to decrease the listening volume.
10	Microphone
11	Speaker
12	Ball joint stand Pan or tilt to adjust the camera angle.
13	Base

Parent unit overview



1	Visual sound indicator ○○○○○ The visual sound indicator has two functions. One is to show the sound level detected by the baby unit. The other one is to show the volume level during speaker volume setting. Sound level detected by the baby unit <ul style="list-style-type: none">• ○○○○○ One to three green lights indicate a moderate sound level detected by the baby unit.• ○○○○○ Additional red lights indicate a higher sound level detected by the baby unit (e.g. baby crying loudly). Speaker volume level <ul style="list-style-type: none">• ○○○○○ One to three green lights indicate Level 1 to Level 3 of the speaker volume setting.• ○○○○○ Additional red lights indicate Level 4 to Level 5 of the speaker volume setting.
2	⏻ (On/off) <ul style="list-style-type: none">• Press to power on.• Press and hold to power off.• Press to turn on or off the screen.
3	🔋 Battery level indicator <ul style="list-style-type: none">• Light on when the parent unit battery is being charged.• Light flashes when the parent unit battery is low and needs charging.• Light off when the parent unit battery is fully charged, or when no battery is installed.
4	Power jack

5	🔍 <ul style="list-style-type: none">• While viewing image, press to zoom in/out.
6	POWER on/off indicator <ul style="list-style-type: none">• On when the parent unit is turned on.• Flashes when in pairing process, or when connecting to baby unit while the baby unit is not available.
7	Control key panel MENU/SELECT <ul style="list-style-type: none">• Press to enter the menu.• While in a menu, press to choose an item, or save a setting. VOL▲ <ul style="list-style-type: none">• Press to increase the speaker volume.• While in the menu, press to scroll up.• While viewing a zoomed image, press and hold to move the image upward. VOL▼ <ul style="list-style-type: none">• Press to decrease the speaker volume.• While in the menu, press to scroll down.• While viewing a zoomed image, press and hold to move the image downward. ◀ <ul style="list-style-type: none">• While in a menu, press to choose the option on the left side.• While viewing a zoomed image, press and hold to move the image leftward. ▶ <ul style="list-style-type: none">• While in a menu, press to choose the option on the right side.• While viewing a zoomed image, press and hold to move the image rightward.
8	TALK While viewing image, press and hold to talk to the selected baby unit.
9	Microphone
10	Battery compartment cover
11	Slot for portable use
12	Speaker
13	Stand

Parent unit display icons

	Connection status <ul style="list-style-type: none">- displays when strong signal strength is detected between the baby unit and the parent unit.- or displays when moderate signal strength is detected between the baby unit and the parent unit.- displays when the link between the baby unit and the parent unit is lost.- displays when the parent unit is searching for a baby unit.
	Current view status (x:1-4) - Display the number of the baby unit that is being viewed.
	Zoom - Display when the camera at the baby unit has zoomed in.
	Volume off - Display when the volume is turned off.
	Sound activation - Display when the sound activation is on.
	Battery status <ul style="list-style-type: none">- animates when the battery is charging.- displays solid when the battery is fully charged.- displays when the battery is low and needs charging.- displays when no battery is installed but operates using AC power, or the battery has been installed incorrectly.

Parent unit main menu icons

	Camera selection <ul style="list-style-type: none">• You can select the screen to view images from a particular baby unit, or view all baby units in Patrol Mode.
	Brightness <ul style="list-style-type: none">• You can change the brightness of the screen. The LCD brightness is preset to .• - brightest screen display.• - brighter screen display.• - average screen brightness.• - darker screen display.• - darkest screen display.
	Sensitivity <ul style="list-style-type: none">• With this feature, you can choose to hear sounds from the baby unit all the time, or to hear sounds that exceed a certain level. You can use the parent unit to adjust the microphone sensitivity of your baby unit. The higher the sensitivity level, the more sensitive the baby unit is in detecting sounds for transmitting to the parent unit. The sound sensitivity is preset to .• - high sensitivity level.• - medium high sensitivity level.• - medium sensitivity level.• - medium low sensitivity level.• - low sensitivity level.
	Sound activation <ul style="list-style-type: none">• Automatically turns on the parent unit screen when a sound is detected in your baby's room. When no sound is detected, the screen is off to save power.• - turn on sound activation.• - turn off sound activation.
	Pairing <ul style="list-style-type: none">• The baby units and parent unit provided are already paired. You can add or replace baby units (VM302 purchased separately) to your baby monitor system.

Using the baby monitor

Power on or off the baby unit

- Press **⏻** to power on the baby unit. The **POWER** light turns on.
- **Press and hold** **⏻** again to power off the baby unit. The **POWER** light turns off.

Power on or off the parent unit

- Press **⏻** to power on the parent unit. The screen turns on.
- **Press and hold** **⏻** again to power off the parent unit. The screen turns off.

Turn on or off the parent unit screen

You can turn on or off the parent unit screen without powering off the parent unit. You can still hear sound from the baby unit.

- Press **⏻** on the parent unit at any time.

Adjust the speaker volume for baby unit

You can adjust the speaker volume.

- Press **▲/VOL** or **▼/VOL** on the baby unit at any time.

Adjust the speaker volume for parent unit

You can adjust the speaker volume from to , or turn it off. The preset speaker volume is .

- Press **VOL▲** or **VOL▼** on the parent unit while viewing image from baby unit.

When the speaker volume is set to off, the screen displays .

Adjust the LCD brightness of the parent unit

You can adjust the brightness of the parent unit screen. The LCD brightness is preset to .

1. Press **MENU/SELECT** when the parent unit is not in use.
2. Press **VOL▼** or **VOL▲** to scroll to .
3. Press **◀** or **▶** to adjust the brightness.
4. Press **MENU/SELECT** to confirm your selection.

Adjust the sound sensitivity of the baby unit

You can choose to hear sounds from the baby unit all the time, or to hear sounds that exceed a certain level. You can use the parent unit to adjust the microphone sensitivity of your baby unit. The higher the sensitivity level, the more sensitive the baby unit is in detecting sounds for transmitting to the parent unit. The sound sensitivity is preset to .

Sound sensitivity table for reference

Icon display	Sensitivity	Description
	High sensitivity	High sensitivity level The parent unit speaker is constantly on, and you will hear all sounds (including background noises) from your baby's room.
		Medium high sensitivity level The parent unit speaker turns on for soft babbling and louder sounds from your baby. It remains quiet when your baby sleeps soundly.
		Medium sensitivity level The parent unit speaker turns on for loud babbling and louder sounds from your baby. It remains quite when your baby makes soft sounds.
		Medium low sensitivity level The parent unit speaker turns on for crying and louder sounds from your baby. It remains quiet when your baby makes soft sounds.
	Low sensitivity	Low sensitivity level The parent unit speaker turns on for loud crying or screaming sounds from your baby. It remains quiet when your baby makes soft sounds.

1. Press **MENU/SELECT** when the parent unit is not in use.
2. Press **VOL▼** or **VOL▲** to scroll to .
3. Press **◀** or **▶** to adjust the sensitivity level.
4. Press **MENU/SELECT** to confirm your selection.

TIP

You can adjust the baby unit placement to improve the sound detection.

